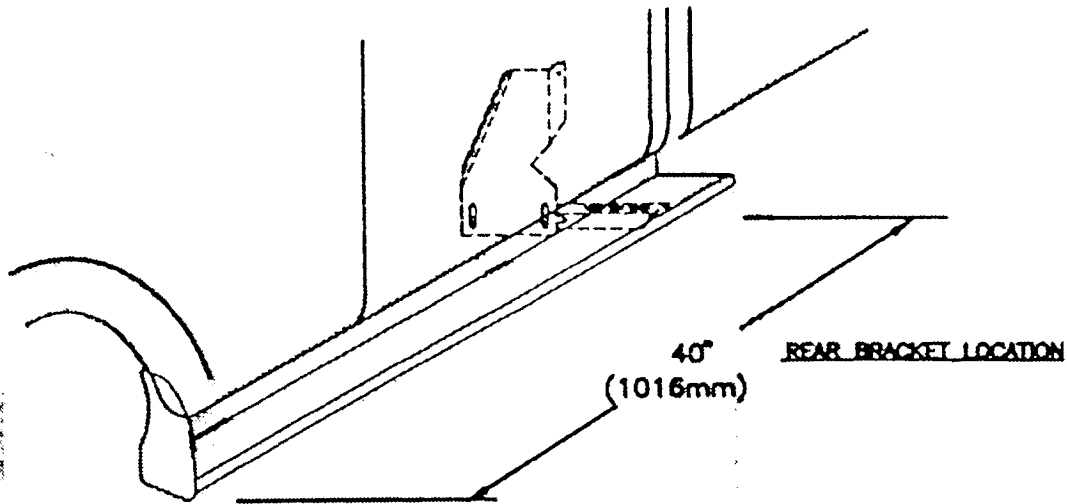
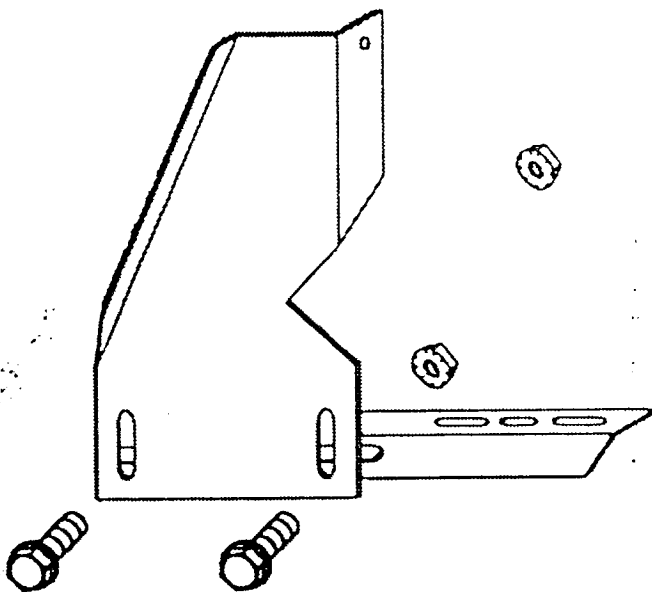


**TOOLS REQUIRED: 5/16" DRILL • 1/2" HEX SOCKET • 1/2" WRENCH • 5/16" NUT DRIVER • 3/8" NUT DRIVER**  
**YOUR BRACKET MOUNT HOLES WILL NEED TO BE DRILLED INTO THE BODY**

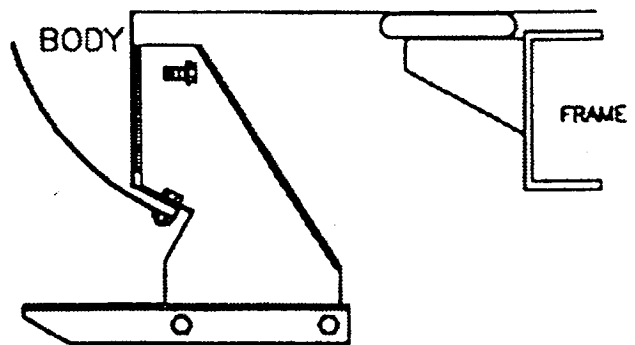


① MEASURE FROM FRONT WHEEL WELL TO BRACKET LOCATION  
MARK THIS DIMENSION ON THE PINCH WELD  
(DRIVERS SIDE SHOWN)

② BRACKET ASSEMBLY  
ASSEMBLE WITH 5/16" BOLTS

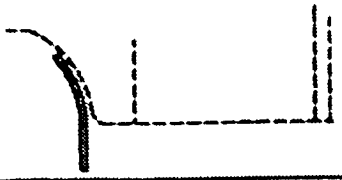


③ BRACKET ASSEMBLY MOUNT TO BODY  
ASSEMBLE WITH 5/16" BOLTS AND  
#14 SELF DRILLING TEX SCREW

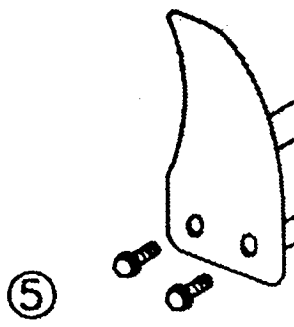


MOUNT AT LOCATION SHOWN AT ①

④ BEND STONE GUARD BY HAND AND KNEE TO FIT THE WHEEL WELL BEFORE INSTALLING TO RUNNING BOARD



⑦ INSTALL END CAP TO BOARD WITH 3/8" SELF TAPPING BOLT



⑤ FASTEN FRONT STONE GUARD TO BOARDS WITH 3/8" SELF TAPPING BOLT. BEND STONE GUARD BY HAND AND KNEE TO FIT THE WHEEL WELL

⑥ SLIDE ONE 1/4"x5/8" SQUARE HEAD SCREW INTO EACH TRACK



⑦

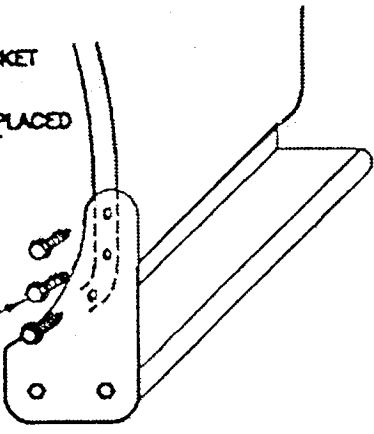
HOLD BOARD IN PLACE, WITH THE REAR RESTING ON THE BACK BRACKET

NOTE:

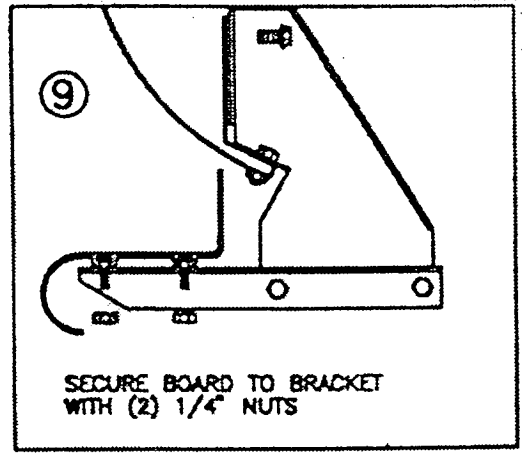
BE SURE THAT 1/4" BOLTS ARE PLACED INTO THE BRACKET STEP SUPPORT

⑧

SCREW THROUGH STONE GUARD INTO FENDERWELL LIP USING #14 BY 3/4" SELF DRILLING SCREWS. MAKE SURE YOU DRILL INTO METAL



3 PLACES AT EACH STONE GUARD



⑨ SECURE BOARD TO BRACKET WITH (2) 1/4" NUTS

⑩

WITH BOARD LEVEL TIGHTEN ALL LOOSE BOLTS

⑪

REPEAT FOR OTHER SIDE

**INSTALLATION PARTS LIST:**

QTY.	DESCRIPTION
1	RUNNING BOARD 1 DRIVER & 1 PASSENGER
1	STONE GUARD 1 LEFT & 1 RIGHT
8	3/8"x1" SELF TAPPING SCREW
8	#14x3/4" TEK SCREW
4	1/4"x5/8" SQUARE HEAD SCREW
4	1/4"-20 HEX NUT

**QTY. DESCRIPTION**

1	END CAP 1 LEFT & 1 RIGHT
8	5/16"x 3/4" WASHER HEAD BOLT
8	5/16-18 HEX WASHER HEAD NUT
2	FLAT BRACKET, FLO7
2	HORIZONTAL BRACKET, SUPPORT, 3124F

N16  
05/15/02