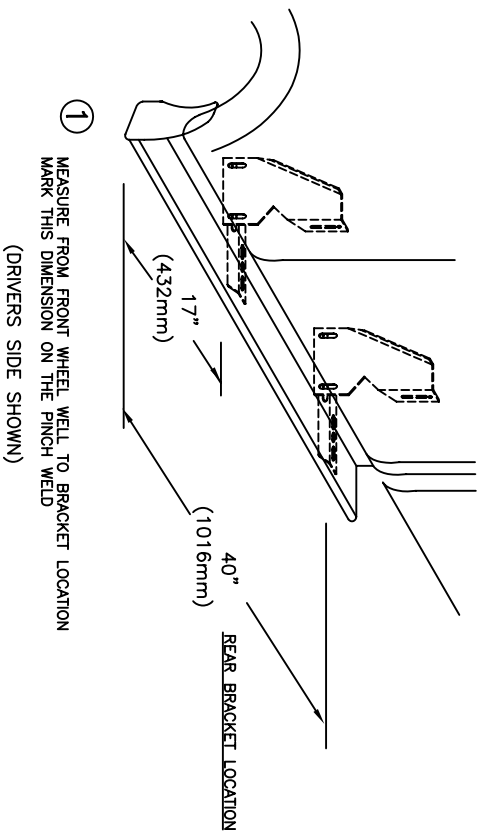


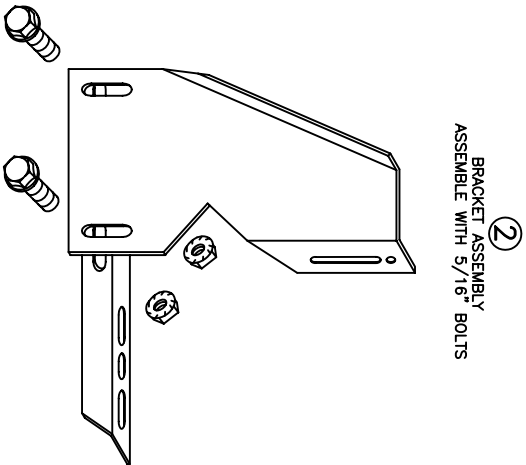
07-CURRENT GMC/CHEVY STANDARD CAB

IN322 03/15/07

TOOLS REQUIRED: 5/16" DRILL * 1/2" HEX SOCKET * 1/2" WRENCH * 5/16" NUT DRIVER * 3/8" NUT DRIVER



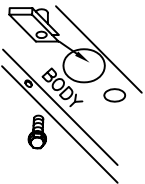
① MEASURE FROM FRONT WHEEL WELL TO BRACKET LOCATION
MARK THIS DIMENSION ON THE PINCH WELD
(DRIVERS SIDE SHOWN)



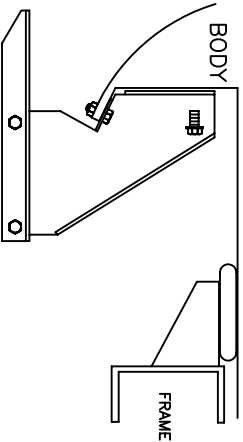
② BRACKET ASSEMBLY
ASSEMBLE WITH 5/16" BOLTS

③ REMOVE RUBBER PLUGS FROM UNDERBODY AT
MEASURED LOCATIONS AND INSTALL CLIP NUTS

④ SLIDE NUT CUP INTO BODY
HOLES AT BRACKET LOCATIONS

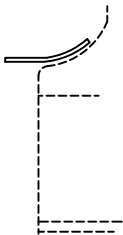


BRACKET ASSEMBLY MOUNT TO BODY,
ASSEMBLE WITH 5/16" BOLTS AND NUTS
THROUGH FACTORY PINCH WELD HOLES
AND INSTALLED CLIP NUTS

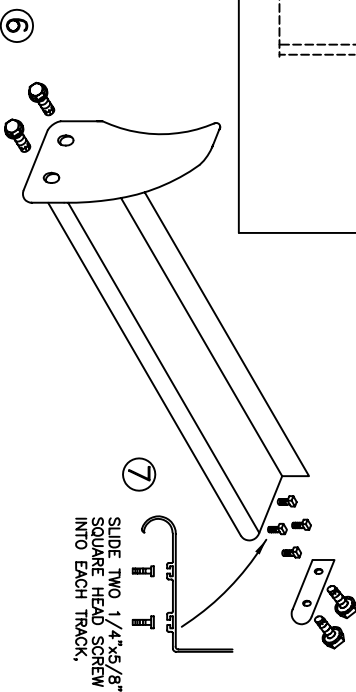


① MOUNT AT LOCATION SHOWN AT

⑤ BEND STONE GUARD BY HAND AND
KNEE TO FIT THE WHEEL WELL
BEFORE INSTALLING TO RUNNING BOARD



⑥ FASTEN FRONT STONE GUARD
TO BOARDS WITH 3/8" SELF
TAPPING BOLT. BEND STONE
GUARD BY HAND AND KNEE
TO FIT THE WHEEL WELL



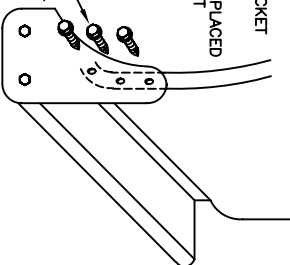
⑧ INSTALL END CAP TO BOARD
WITH 3/8" SELF TAPPING BOLT

⑦ SLIDE TWO 1/4"x5/8"
SQUARE HEAD SCREW
INTO EACH TRACK,

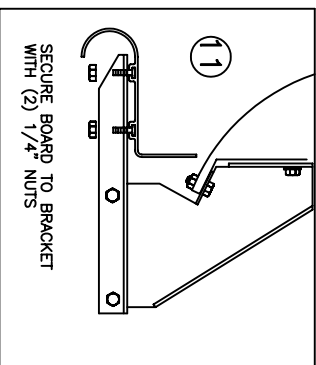
⑨ HOLD BOARD IN PLACE, WITH THE
REAR RESTING ON THE BACK BRACKET
NOTE:
BE SURE THAT 1/4" BOLTS ARE PLACED
INTO THE BRACKET "STEP" SUPPORT

⑩ SCREW THROUGH STONE GUARD
INTO FENDERWELL LIP USING #14
BY 3/4 SELF DRILLING SCREWS.
MAKE SURE YOU DRILL INTO METAL

3 PLACES AT EACH STONE GUARD



⑪ SECURE BOARD TO BRACKET
WITH (2) 1/4" NUTS



⑫ WITH BOARD LEVEL TIGHTEN
ALL LOOSE BOLTS

⑬ REPEAT FOR OTHER SIDE

INSTALLATION PARTS LIST:

QTY.	DESCRIPTION
2	RUNNING BOARD 1 DRIVER & 1 PASSENGER
2	STONE GUARD 1 LEFT & 1 RIGHT
8	3/8"x1 SELF TAPPING SCREW
8	#14x3/4" TEK SCREW
8	1/4"x5/8" SQUARE HEAD SCREW
8	1/4"-20 HEX NUT

QTY.	DESCRIPTION
2	END CAP 1 LEFT & 1 RIGHT
16	5/16"x 3/4" WASHER HEAD BOLT
12	5/16"-18 HEX WASHER HEAD NUT
4	FLAT BRACKET, FLO7
4	HORIZONTAL BRACKET, SUPPORT, 3124F
4	CLIP NUT

IN322
03/15/07

OWENS PRODUCTS, INC.*1107 PROGRESS STREET*STURGIS, MI. 49091*269-6511-2300*10L-FREE. 800-726-9367*2X:269-651 9326*WEB:www.owens-pro.com