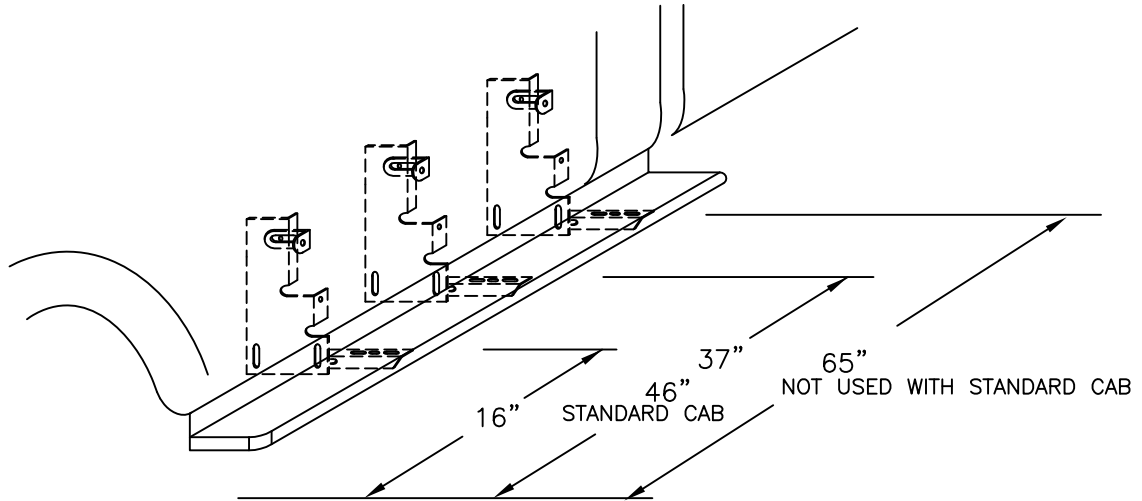


DRILLING INTO BODY AND FRAME IS REQUIRED.

**TOOLS REQUIRED:** 5/16" DRILL \* 1/2" HEX SOCKET \* 1/2" WRENCH \* 5/16" NUT DRIVER \* 3/8" NUT DRIVER

YOUR BRACKET MOUNT HOLES WILL NEED TO BE DRILLED INTO THE BODY

①

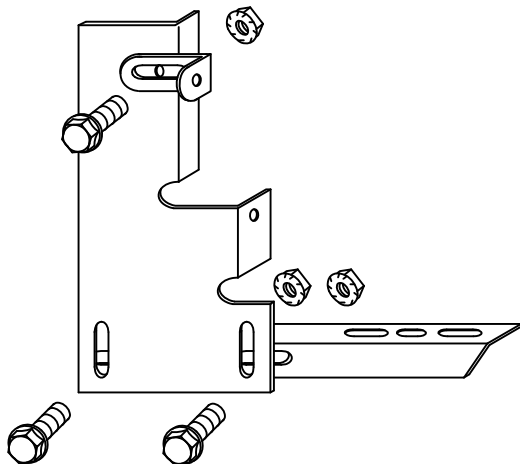


MEASURE FROM FRONT WHEEL WELL TO BRACKET LOCATION  
MARK THIS DIMENSION ON THE PINCH WELD

(DRIVERS SIDE SHOWN)

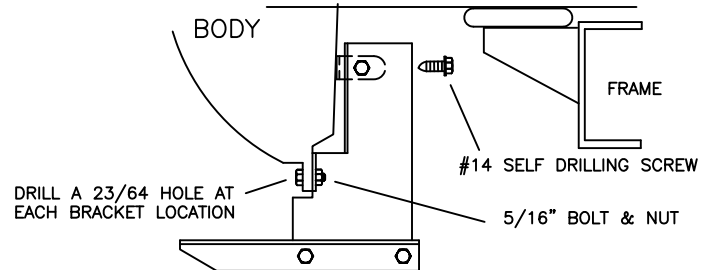
②

BRACKET ASSEMBLY  
ASSEMBLE WITH 5/16" BOLTS & NUTS



③

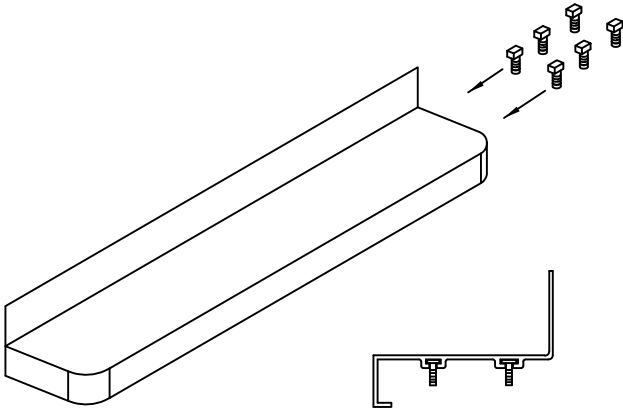
MOUNT BRACKET ASSEMBLY TO BODY  
WITH 5/16" BOLT, NUT AND  
#14 SELF DRILLING TEK SCREW



MOUNT AT LOCATION SHOWN AT ①

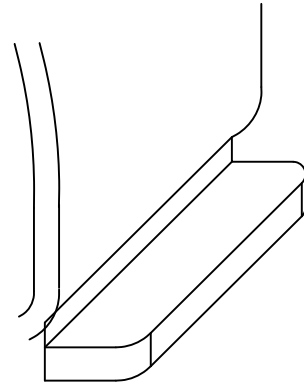
DRILLING INTO BODY AND FRAME IS REQUIRED.

④ **\*\*ALUMINUM BOARDS ONLY\*\*** FOR PLASTIC BOARDS GO TO STEP 7.



FOR EACH BRACKET  
SLIDE ONE 1/4" X 5/8"  
SQUARE HEAD SCREW  
INTO EACH TRACK,

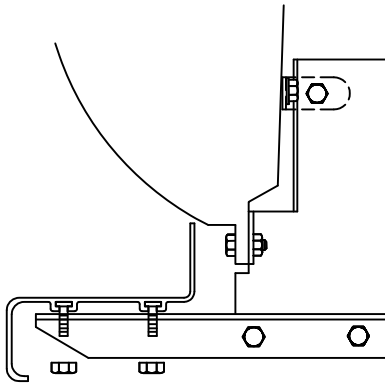
⑤



HOLD THE BOARD IN PLACE WITH IT RESTING ON THE BRACKETS.

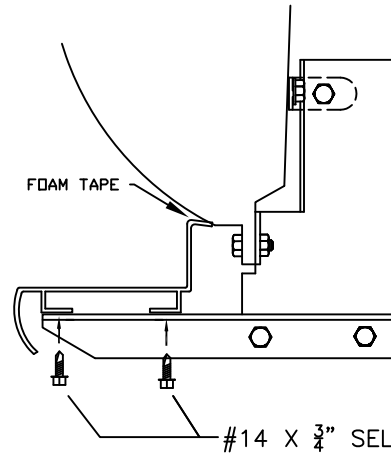
BE SURE THAT THE 1/4" BOLTS ARE PLACED INTO THE SLOTS IN THE BRACKET STEP SUPPORT

⑥



SECURE BOARD TO BRACKET WITH 1/4" NUTS

⑦



FOR PLASTIC BOARDS, APPLY FOAM TAPE AND STEP TREAD TO BOARD. ATTACH THE BOARD TO THE BRACKETS WITH SELF DRILLING SCREWS.

⑧

WITH BOARD LEVEL TIGHTEN ALL LOOSE BOLTS

REPEAT FOR OTHER SIDE