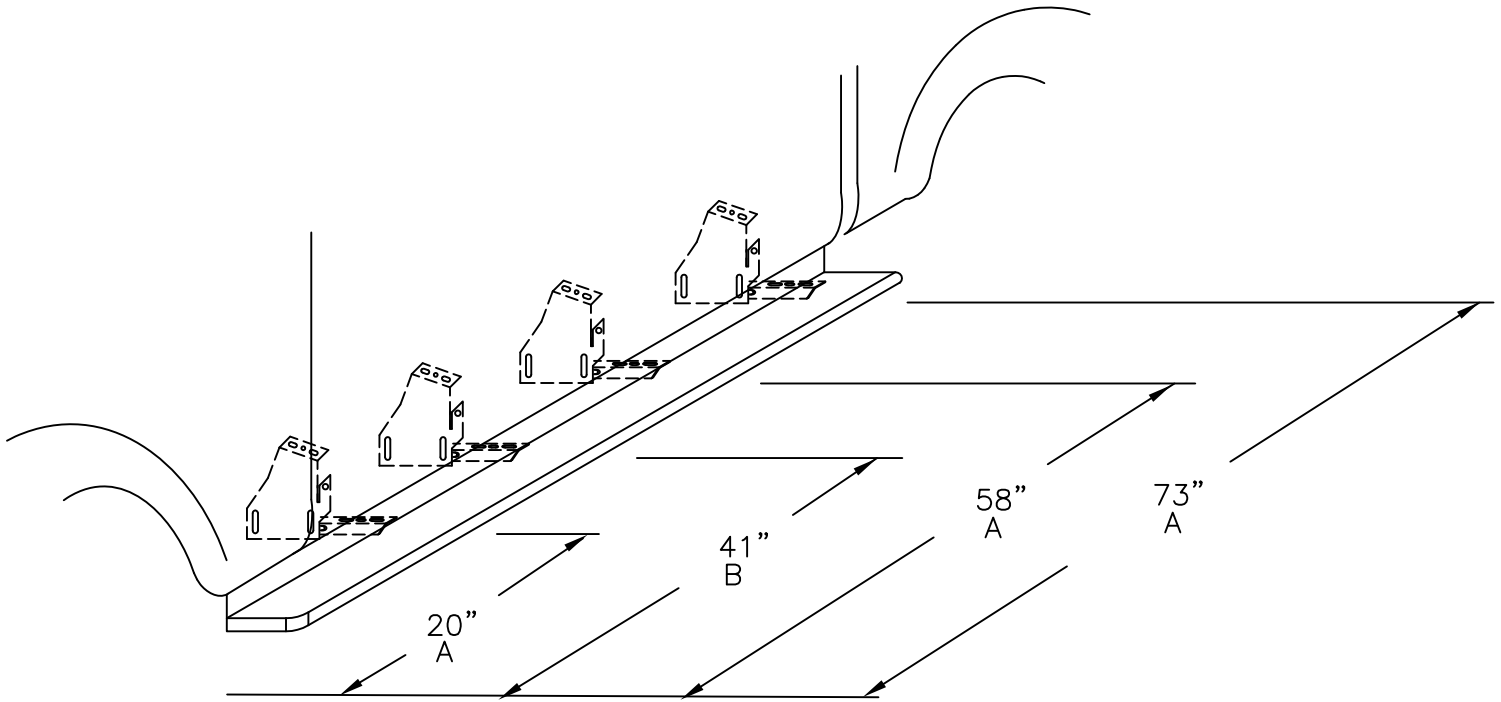
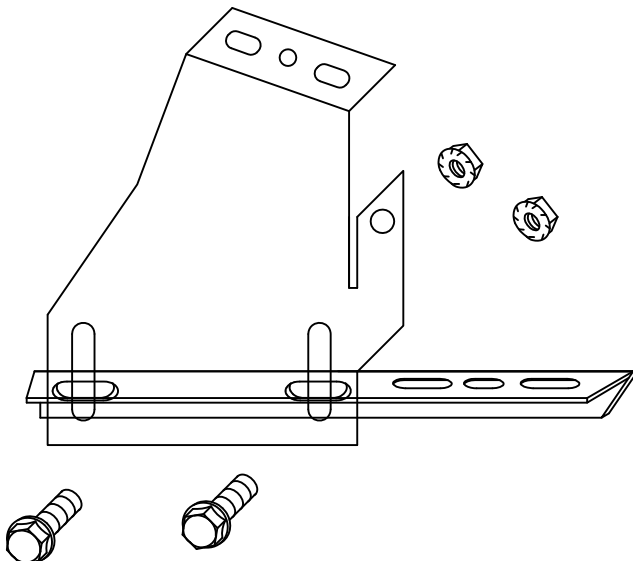


TOOLS REQUIRED: 5/16" DRILL \* 1/2" HEX SOCKET \* 1/2" WRENCH \* 5/16" NUT DRIVER \* 3/8" NUT DRIVER



②

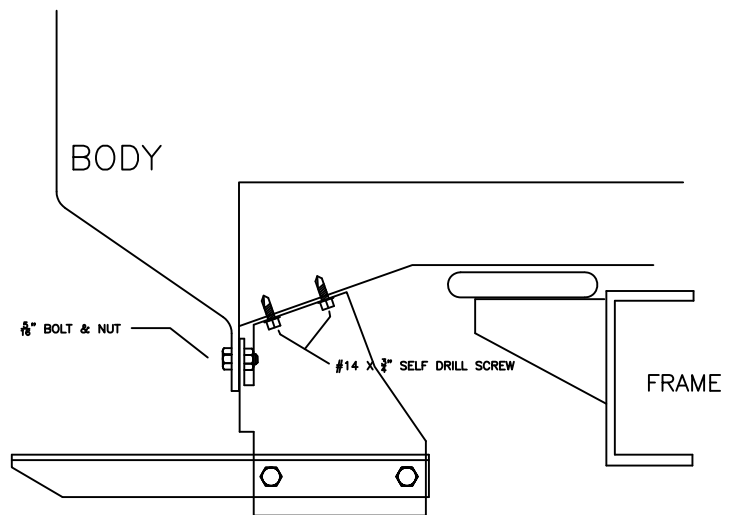
BRACKET ASSEMBLY  
ASSEMBLE WITH 5/16" BOLTS



③

BRACKETS AT 20", 58" & 73" ONLY

DRILL A 5/16" HOLE IN PINCH WELD AT EACH LOCATION  
ATTACH WITH 5/16" BOLT & NUT IN PINCH WELD  
USE 3/4" LONG SELF DRILLING SCREW TO UNDER BODY  
PLACE THE BRACKET TO THE BACK SIDE OF THE PINCH WELD

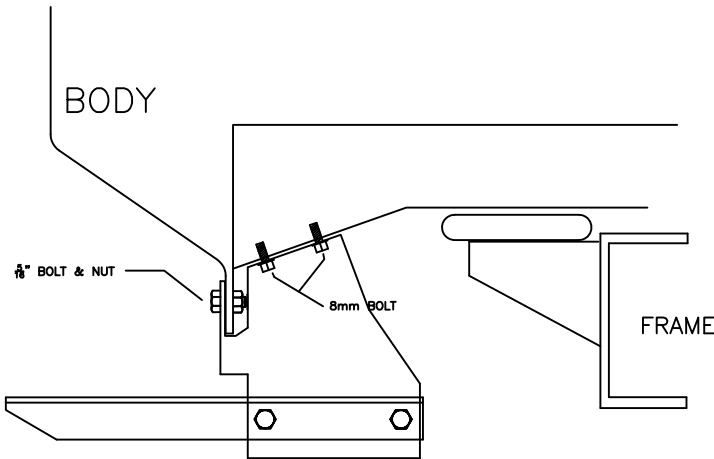


MOUNT AT LOCATION SHOWN AT

①A

④ BRACKET AT 41" ONLY

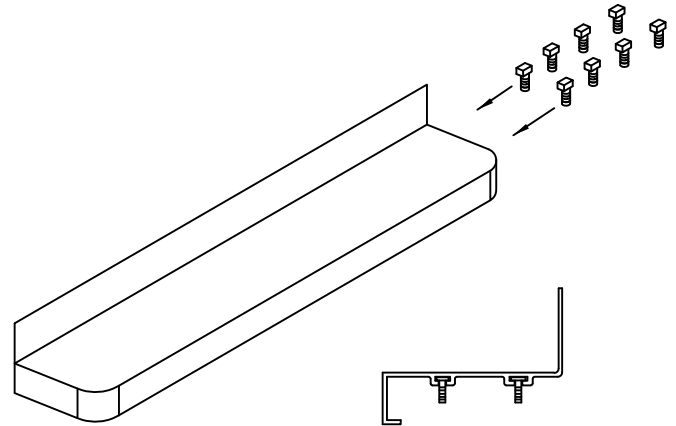
DRILL A 5/16" HOLE IN PINCH WELD AT THE 41" LOCATION. THIS BRACKET NEEDS TO HAVE THE MOUNTING TAB BENT OUTWARD AND FASTENED TO THE OUTSIDE OF THE PINCHWELD. ATTACH WITH 5/16" BOLT & NUT IN PINCH WELD USE 8mm BOLT INTO FACTORY HOLES UNDER BODY



MOUNT AT LOCATION SHOWN AT ①B

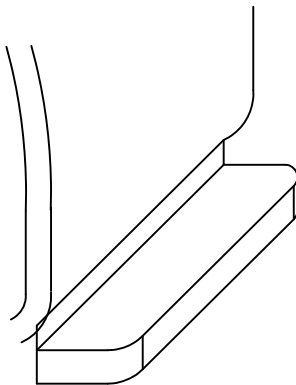
⑤

PROCEED TO STEP 7 IF PLASTIC BOARDS ARE TO BE INSTALLED.



SLIDE ONE 1/4" X 5/8" SQUARE HEAD SCREWS INTO EACH TRACK FOR EACH BRACKET.

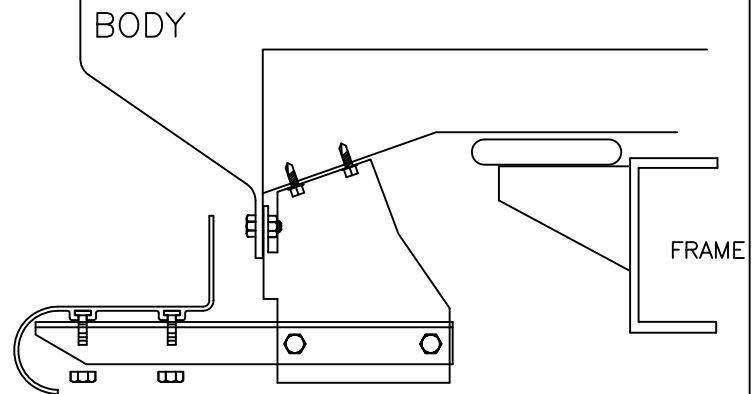
⑥



HOLD THE BOARD IN PLACE WITH IT RESTING ON THE BRACKETS.

BE SURE THAT THE 1/4" BOLTS ARE PLACED INTO THE SLOTS IN THE BRACKET STEP SUPPORT

⑦



SECURE BOARD TO BRACKET WITH 1/4" NUTS

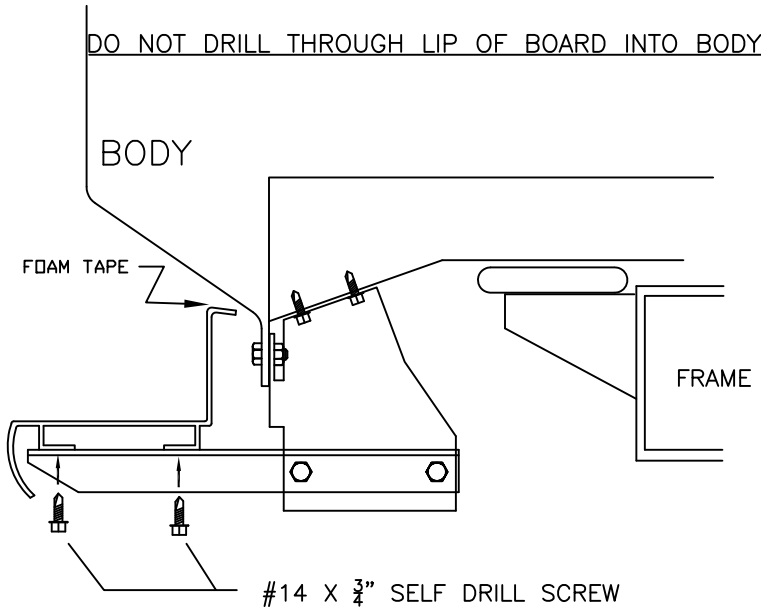
⑧

WITH BOARD LEVEL TIGHTEN ANY LOOSE BOLTS

REPEAT FOR OTHER SIDE

8

FOR PLASTIC BOARDS, APPLY FOAM TAPE AND STEP TREAD TO BOARD.  
ATTACH THE BOARD TO THE BRACKETS  
WITH SELF DRILLING SCREWS.



9

WITH BOARD LEVEL TIGHTEN  
ANY LOOSE BOLTS

REPEAT FOR OTHER SIDE