

Installation Guide

2005-C DAKOTA, CLUB AND QUAD CAB

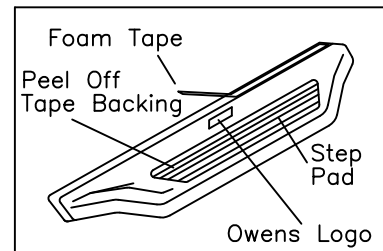
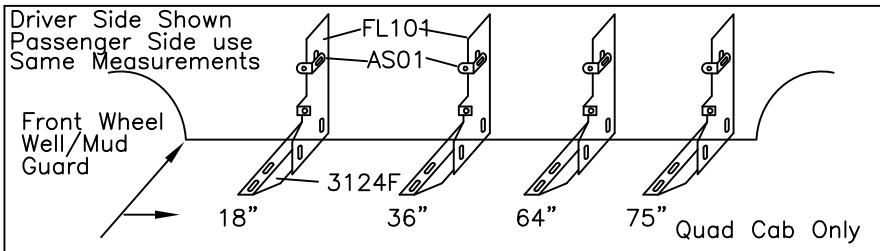
INSTALLATION	Club QTY.	Quad QTY.	DESCRIPTION
<u>PARTS LIST:</u>	2	2	TranSender Boards
	2	2	Step Pads
	2	2	Foam Tape Strips
	6	8	Flat Plates #FL101
	6	8	Angled Straps #AS01

Club QTY.	Quad QTY.	DESCRIPTION
6	8	Step Supports #3124F
24	32	5/16" x 3/4" Washer Head Bolts
24	32	5/16" Washer Head Nuts
18	24	#14 x 3/4" Self Drilling Screws (SHORT)

TOOLS REQUIRED: 5/16" DRILL * 1/2" HEX SOCKET * 1/2" WRENCH * 3/8" NUT DRIVER

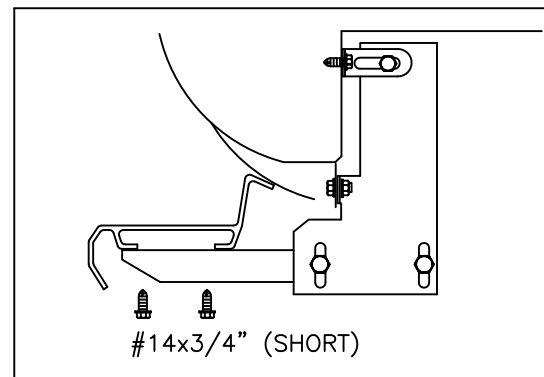
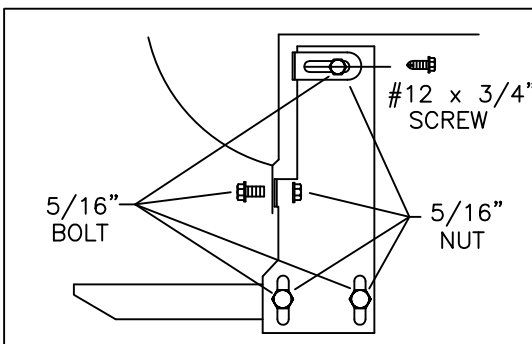
SOME DRILLING INTO THE BODY IS REQUIRED

1. Painting is not necessary, the board is made with U.V. resistant plastic.



2. Measure from the wheel well, back to the dimensions shown above. Mark these bracket location centers.

3. Clean surface prior to attaching tape and step pads with denatured alcohol. Apply foam tape to top lip of board. Position step pad on stepping surface. Peel off tape backing starting with the rear strip. Keep pad in position, peel off backing then apply pressure to top of pad to stick tape to board. Continue above steps for all tape strips.



4. Place flat bracket FL101 against the pinch weld at the locations shown above. Drill a 5/16" hole through the pinch weld. Mount the flat bracket to the pinch weld with 5/16" nut and bolt. Attach bent tab AS01 to the flat bracket with a 5/16" nut and bolt. Attach the bent tab to the body with #12x3/4" self drilling screws.

5. Position step on brackets and tight to truck body. Secure step support bracket to bottom of board using two #14 x 3/4" self-drilling screws (SHORT) per bracket. Repeat for all brackets. DO NOT USE LONG SELF TAPPERS UNDER THE BOARD!

6. Make sure your boards are level, tighten all bolts to 18 foot pounds. Do not overtighten the sheet metal screws, the sheet metal is thin. Do not overtighten.

IN395 06/22/09