

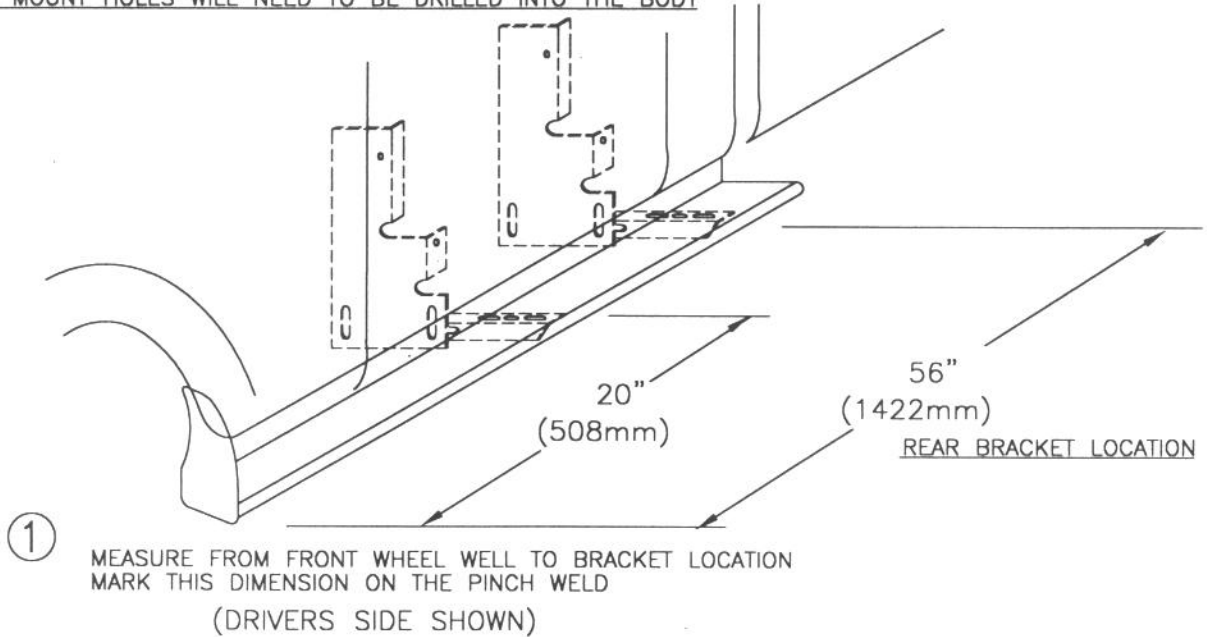
INSTALLATION PARTS LIST:

QTY.	DESCRIPTION
1	RUNNING BOARD 1 DRIVER & 1 PASSENGER
1	STONE GUARD 1 LEFT & 1 RIGHT
8	3/8"x1 SELF TAPPING SCREW
10	#14x3/4" TEK SCREW
8	1/4x5/8" SQUARE HEAD SCREW
8	1/4-20 HEX NUT

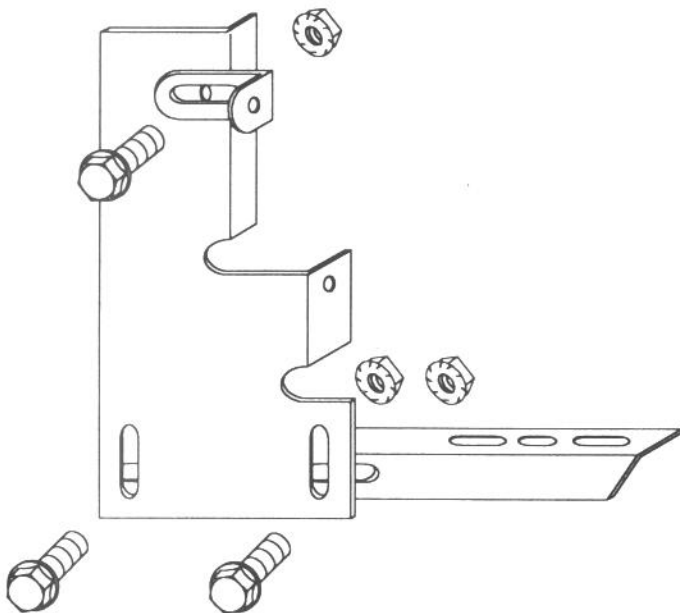
QTY.	DESCRIPTION
1	END CAP 1 LEFT & 1 RIGHT
16	5/16"x 3/4" WASHER HEAD BOLT
16	5/16-18 HEX WASHER HEAD NUT
4	HORIZONTAL BRACKET, SUPPORT, 3124F
4	FLAT BRACKET, FL48 2" RISER
	FLAT BRACKET, FL43 4" RISER
4	ANGLE STRAP AS01

TOOLS REQUIRED: 5/16" DRILL * 1/2" HEX SOCKET * 1/2" WRENCH * 5/16" NUT DRIVER * 3/8" NUT DRIVER

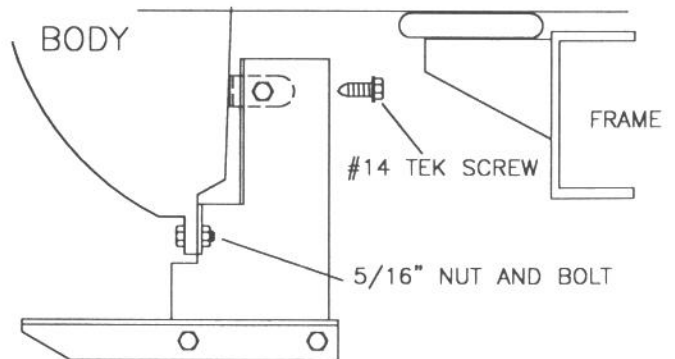
YOUR BRACKET MOUNT HOLES WILL NEED TO BE DRILLED INTO THE BODY



② BRACKET ASSEMBLY
ASSEMBLE WITH 5/16" BOLTS



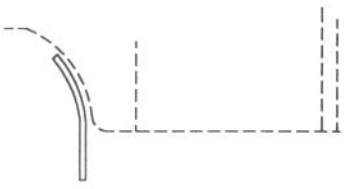
③ BRACKET ASSEMBLY MOUNT TO BODY
DRILL THROUGH THE PINCH WELD WITH A 5/16" DRILL.
ASSEMBLE WITH 5/16" BOLTS AND #14 SELF DRILLING
TEK SCREW



MOUNT AT LOCATION SHOWN AT ①

4

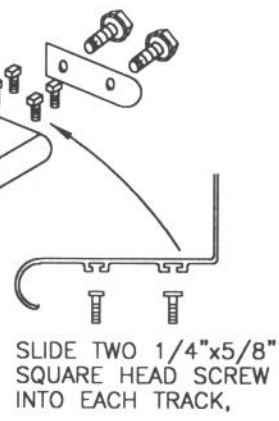
BEND STONE GUARD BY HAND AND KNEE TO FIT THE WHEEL WELL BEFORE INSTALLING TO RUNNING BOARD



7

INSTALL END CAP TO BOARD WITH 3/8" SELF TAPPING BOLT

6



SLIDE TWO 1/4"x5/8" SQUARE HEAD SCREW INTO EACH TRACK,

5

FASTEN FRONT STONE GUARD TO BOARDS WITH 3/8" SELF TAPPING BOLT. BEND STONE GUARD BY HAND AND KNEE TO FIT THE WHEEL WELL

8

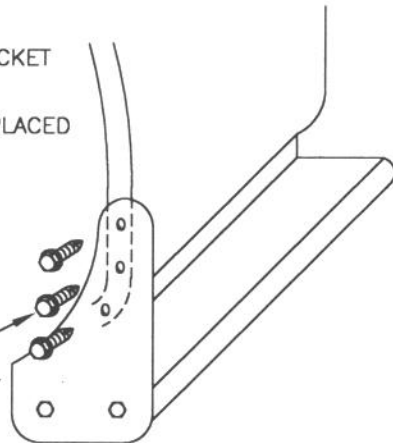
HOLD BOARD IN PLACE, WITH THE REAR RESTING ON THE BACK BRACKET

NOTE:

BE SURE THAT 1/4" BOLTS ARE PLACED INTO THE BRACKET STEP SUPPORT

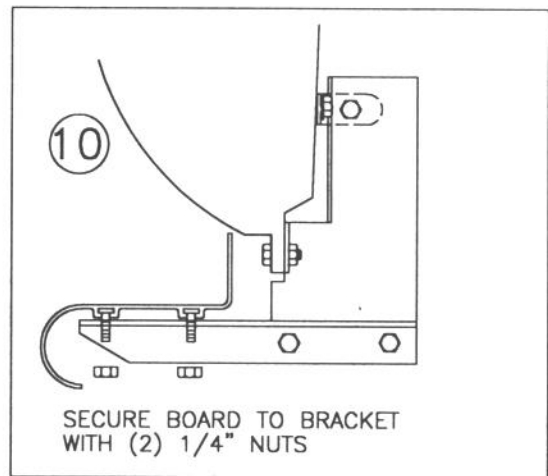
9

SCREW THROUGH STONE GUARD INTO FENDERWELL LIP USING #14 BY 3/4 SELF DRILLING SCREWS, MAKE SURE YOU DRILL INTO METAL



3 PLACES AT EACH STONE GUARD

10



SECURE BOARD TO BRACKET WITH (2) 1/4" NUTS

11

WITH BOARD LEVEL TIGHTEN ALL LOOSE BOLTS

12

REPEAT FOR OTHER SIDE

IN-55A
09/20/05